

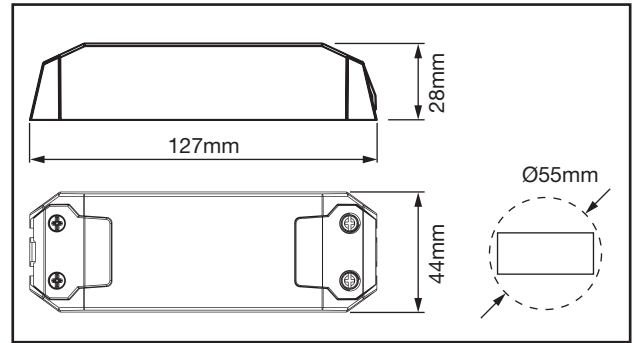
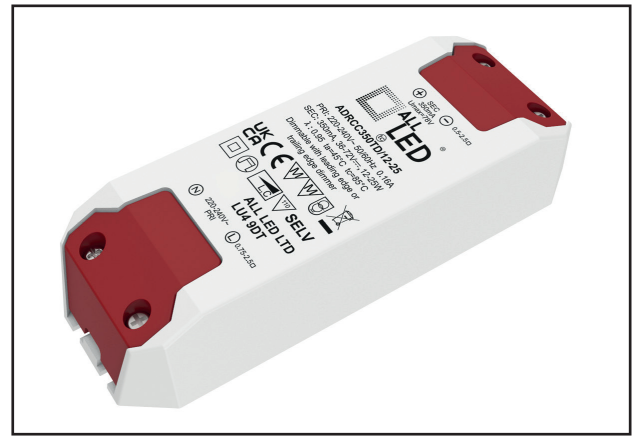
ADRCC350TD/12-25

12-25W Dimmable 350mA
Constant Current LED Driver

Drive350

PRODUCT FEATURES

- Easy Wire Large Terminals
- Dimmable
- Flicker Free Dimming
- Max. DC Loom Length 200m (1.5mm² Cable)
- Load:
 - 12...25 PCS x 1W LED (350mA)
 - 4...8 PCS x 3W LED (350mA)
 - 1...3 PCS x 7W LED (350mA)



TECHNICAL SPECIFICATIONS

PRODUCT CODE	ADRCC350TD/12-25
Operating Voltage	220-240V AC
Operating Current (A Max)	0.16
Output Power Range	12-25W
Output Current (Max)	350mA
Output Voltage Range	36-72V DC
Output Voltage (Max)	78V DC
Power Factor	>0.95
Efficiency %	84%
No Load Power (W)	<0.5
Class	II
Body Material	White Polycarbonate
Switching Cycles	30,000
Ingress Protection	IP20
Ambient Operating Temperature (°C)	-20°C ~ +50°C
Input Frequency (Hz)	50/60Hz
Guarantee	5 Years
Dimmable	Yes
Dimming Mode (Trailing or Leading)	Trailing or Leading
Output Type	Constant Current
Lifetime	30,000 Hrs

SERIES WIRING DIAGRAM

